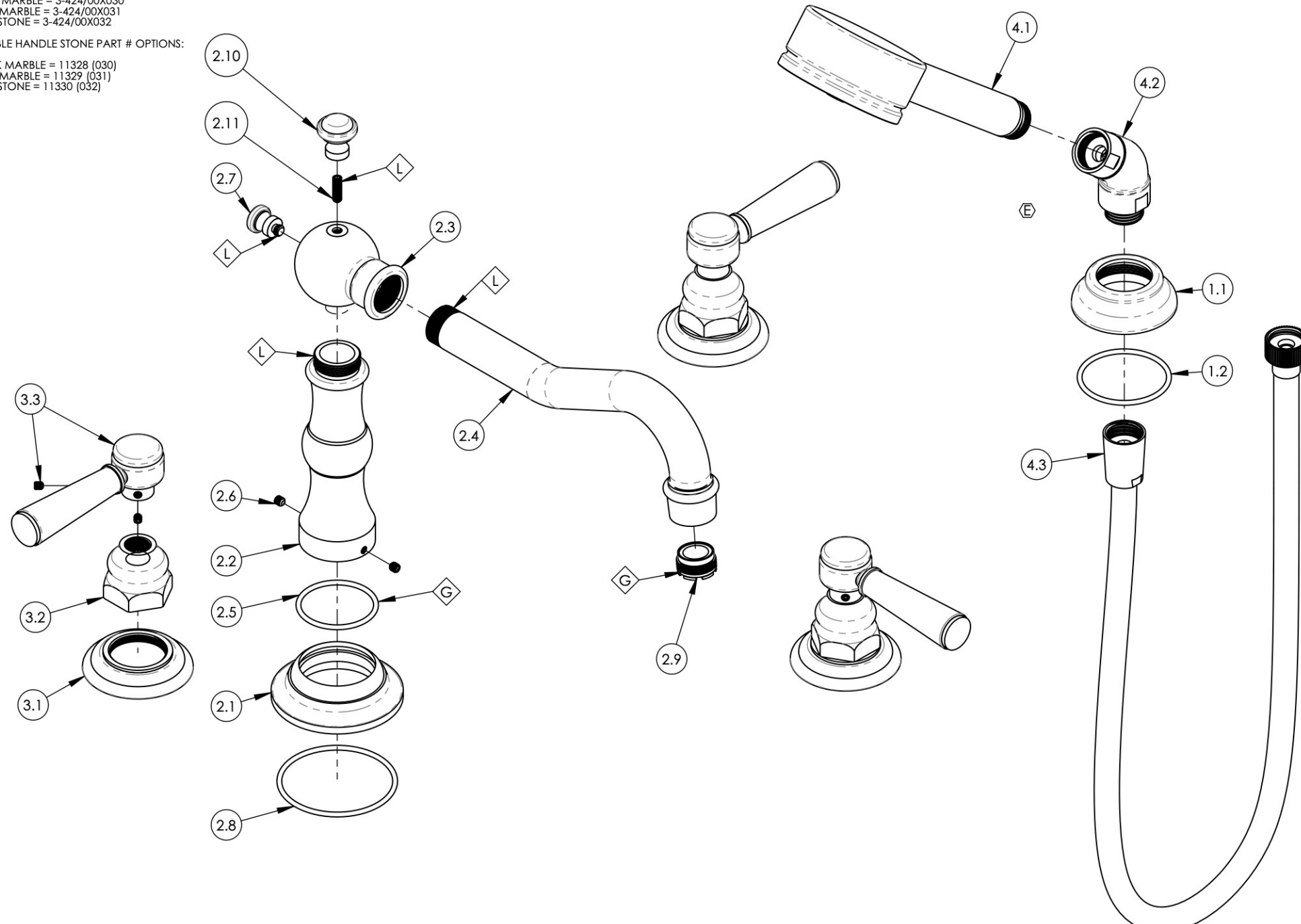


- NOTE(S):
1. APPLY NSF COMPLIANT GREASE TO ANY O-RING, SEALING JOINTS, AND/OR PIVOTAL POINTS.
  2. APPLY NSF COMPLIANT LOCTITE TO THREADED AREA.
  3. EXAMPLE OF SPLIT FINISH CODE:  
A. 3-424/026X030
  4. SPLIT FINISH CODES:  
A. BLACK MARBLE = 3-424/00X030  
B. WHITE MARBLE = 3-424/00X031  
C. SOAPSTONE = 3-424/00X032
  5. AVAILABLE HANDLE STONE PART # OPTIONS:  
A. BLACK MARBLE = 11328 (030)  
B. WHITE MARBLE = 11329 (031)  
C. SOAPSTONE = 11330 (032)



ITEM NO.	PART NUMBER	DESCRIPTION	QTY.
1	3-210/00	ESCUTCHEON BASE, HANDSHOWER, TRADITIONAL	1
1.1	P18001/00	ESCUTCHEON BASE, DECK TUB, HANDSHOWER, TRADITIONAL	1
1.2	90133	1 3/4" O-RING, 1-13/16 ID X 3/32 THK, AS-568-133	1
2	3-395/00	ASSY. DECK TUB SPOUT, MAISON SERIES	1
2.1	11273/00	ESCUTCHEON, BASE SPOUT RISER	1
2.2	11274/00	SPOUT RISER, DECK TUB	1
2.3	11275/00	BALL TRANSITION, DECK TUB RISER	1
2.4	2-146/00	SUB ASSY. SPOUT BRAZED AERATOR HOUSING	1
2.5	90129	O-RING, 1-9/16 ID X 3/32 THK, AS-568-129	1
2.6	92024	SET SCREW, CUP POINT 10-24 UNC 3/16" LENGTH	2
2.7	11152/00	FINIAL END BACK, TRADITIONAL	1
2.8	90142	O-RING, 2-3/8 ID X 3/32 THK., AS-568-142	1
2.9	P05024	AERATOR CACHE COIN SLOT, M21.5X1.0 FULL FLOW	1
2.10	11153/00	POP-UP KNOB, TRADITIONAL	1
2.11	92152	SET SCREW, CUP PT. 10-24 UNC X 5/8" L	1
3	3-424/00	MARBLE LEVER HANDLE, DECK TUB	3
3.1	10620/00	ESCUTCHEON, TRADITIONAL RT 1-1/4"-20	1
3.2	10621/00	BASE HUB NUT	1
3.3	2-142/00	MARBLE LEVER HANDLE, 500 SERIES, HEX TRADITIONAL	1
4	4-524/00	HAND SHOWER HEAD, ELBOW, HOSE, SINGLE FUNCTION STILO 70	1
4.1	3-066/00	HANDSHOWER, SINGLE FUNCTION STILO 70	1
4.2	3-050/00	ELBOW ASSEMBLY	1
4.3	3-049/00	ASSY. HOSE KIT, HANDSHOWER	1

D4	E	UPDATE HAND SHOWER ASSEMBLY	10/8/2020	AMM
ZONE	REV.	DESCRIPTION	DATE	APPROVED
REVISIONS				
1261 LOGAN AVENUE COSTA MESA, CALIFORNIA 92626 PHONE: 714.361.4800 FAX: 714.617.3120		<b>PHYLIRICH</b> Defining Luxury Since 1959		
<b>PROPRIETARY AND CONFIDENTIAL</b>				
THE INFORMATION CONTAINED IN THIS DRAWING IS THE SOLE PROPERTY OF PHYLIRICH. ANY REPRODUCTION IN PART OR AS A WHOLE WITHOUT THE WRITTEN PERMISSION OF PHYLIRICH IS PROHIBITED.				

INTERPRET GEOMETRIC DIMENSIONING & TOLERANCING IN ACCORDANCE WITH ASME Y14.5-2009 & ASME Y14.41-2003 STANDARDS. UNLESS OTHERWISE SPECIFIED, DIMENSIONS ARE IN INCHES. TOLERANCES ARE:	<b>FRACTIONS</b> ±1/16"	<b>DECIMALS</b> X.X: ±.1 X.XX: ±.01 X.XXX: ±.005	<b>ANGULAR</b> ±2°
NEXT ASSY	USED ON	APPLICATION	
MATERIAL	FINISH	NAME	DATE
DO NOT SCALE DRAWING	CHECKED	GRE	10/29/2015

<b>DECK TUB W/ HANDSHOWER, MARBLE LEVER HANDLES, HENRI SERIES</b>		
SIZE	ASM/PRT NO.	REV
<b>B</b>	161-50/00	<b>E</b>
SCALE: 1:2.75	WEIGHT: lbs.	SHEET 1 OF 2