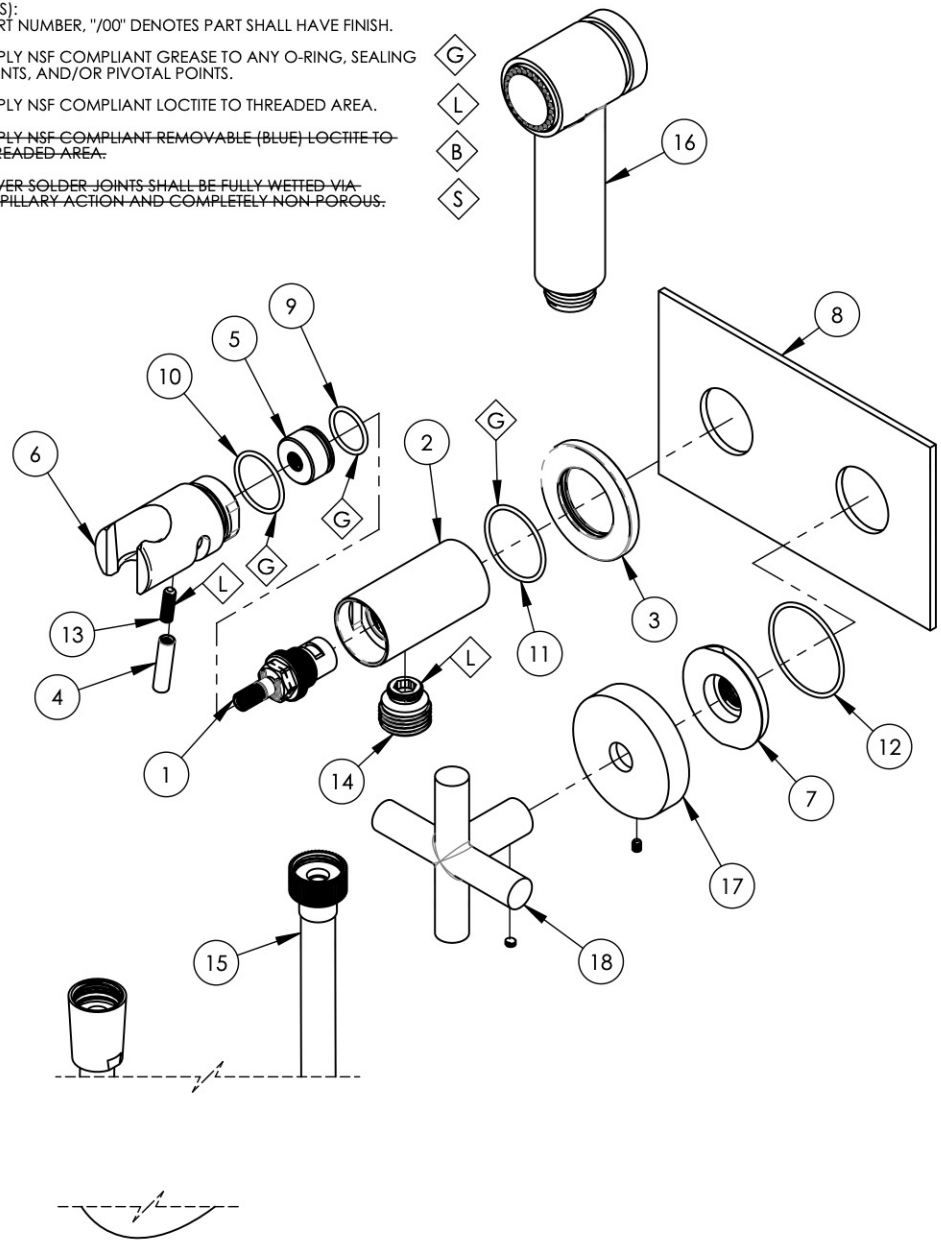


- NOTE(S):  
 1. PART NUMBER, "/00" DENOTES PART SHALL HAVE FINISH.  
 2. APPLY NSF COMPLIANT GREASE TO ANY O-RING, SEALING JOINTS, AND/OR PIVOTAL POINTS.  
 3. APPLY NSF COMPLIANT LOCTITE TO THREADED AREA.  
 4. APPLY NSF COMPLIANT REMOVABLE (BLUE) LOCTITE TO THREADED AREA.  
 5. SILVER SOLDER JOINTS SHALL BE FULLY WETTED VIA CAPILLARY ACTION AND COMPLETELY NON-POROUS.

G  
L  
B  
S



ITEM NO.	PART NUMBER	DESCRIPTION	QTY.
1	10739	CARTRIDGE, VALVE 3/8" G RIGHT CLOSING	1
2	10859/00	BODY, HANDSHOWER HOLDER W/ INTEGRATED VOL. CTRL.	1
3	10860/00	ESCUTCHEON, FLANGE	1
4	10861/00	HANDLE, LEVER 10-24 UNC	1
5	10862/00	HIDDEN HUB, HANDSHOWER VOL. CTRL.	1
6	10863/00	SHOWER HOOK, INTEGRATED HANDLE	1
7	11003	SLEEVE MOUNT, WALL MT WIDESPREAD	1
8	11212/00	PLATE, TWO HANDLE, BASIC SERIES	1
9	90017	O-RING, 1 1/16" ID X 1 3/16" OD X 1/16" THK, AS-568-017	1
10	90021	O-RING, 1 5/16" ID X 1-1/16" OD X 1/16" THK, AS-568-021	1
11	90025	O-RING, 1-3/16" ID X 1 1/16" THK, AS-568-025	1
12	90029	O-RING, 1-5/8" ID X 1-3/4" OD X 1/16" THK, AS-568-029	1
13	92152	SET SCREW, CUP PT. 10-24 UNC X 5/8" L	1
14	P18011/00	CONNECTOR OUTLET 1/2", HOUSING OV10	1
15	3-049/00	ASSY, HOSE KIT, HANDSHOWER	1
16	3-410/00	ASSY, HAND SPRAY	1
17	3-590/00	ESCUTCHEON W/ SET SCREW, TRANSITION	1
18	3-580/00	HANDLE CROSS W/ SET SCREW, TRANSITION	1

ZONE	REV.	DESCRIPTION	DATE	APPROVED
REVISIONS				

1261 LOGAN AVENUE  
 COSTA MESA, CALIFORNIA 92626  
 PHONE: 714.361.4800  
 FAX: 714.617.3120

**PHYL RICH**<sup>®</sup>  
 Defining Luxury Since 1959

**PROPRIETARY AND CONFIDENTIAL**  
 THE INFORMATION CONTAINED IN THIS DRAWING IS THE SOLE PROPERTY OF PHYL RICH. ANY REPRODUCTION IN PART OR AS A WHOLE WITHOUT THE WRITTEN PERMISSION OF PHYL RICH IS PROHIBITED.  
**DO NOT SCALE DRAWING**

TRIM, WALL MOUNTED BIDET, CROSS HANDLE, TRANSITION

SIZE <b>A</b>	ASM/PRT NO. 120-64/00	REV -
SCALE: 1:3	WEIGHT: lbs.	SHEET 1 OF 2