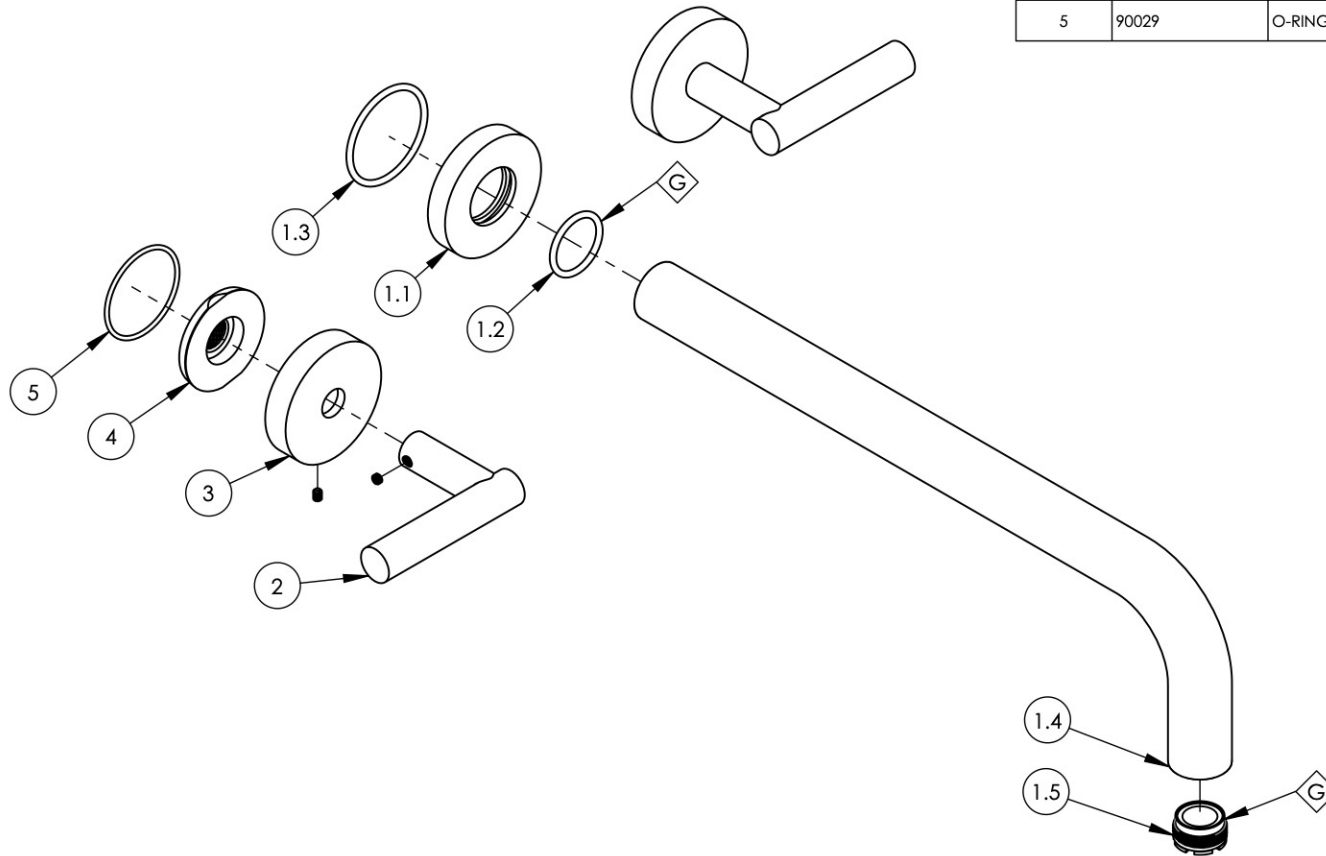


- NOTE(S):
 1. PART NUMBER, "/00" DENOTES PART SHALL HAVE FINISH.
 2. APPLY NSF COMPLIANT GREASE TO ANY O-RING, SEALING JOINTS, AND/OR PIVOTAL POINTS.
 3. APPLY NSF COMPLIANT LOCTITE TO THREADED AREA.
 4. APPLY NSF COMPLIANT REMOVABLE (BLUE) LOCTITE TO THREADED AREA.
 5. SILVER SOLDER JOINTS SHALL BE FULLY WETTED VIA CAPILLARY ACTION AND COMPLETELY NON-POROUS.



ITEM NO.	PART NUMBER	DESCRIPTION	QTY.
1	3-420/00	WALL TUB, SPOUT ONLY, 12" L, BASIC	1
1.1	P19017/00	ESCUTCHEON, FOR SPOUT	1
1.2	90119	O-RING, 15/16"ID X 1-1/8"OD X 3/32"THK, AS-568-119	1
1.3	90129	O-RING, 1-9/16"ID X 3/32"THK, AS-568-129	1
1.4	10480/00	12" WALL LAV SPOUT, BASIC SERIES	1
1.5	P05024	AERATOR CACHE COIN SLOT, M21.5X1.0 FULL FLOW	1
2	3-581/00	HANDLE LEVER W/ SET SCREW, TRANSITION	2
3	3-590/00	ESCUTCHEON W/ SET SCREW, TRANSITION	2
4	11003	SLEEVE MOUNT, WALL MT WIDESPREAD	2
5	90029	O-RING, 1-5/8"ID X 1-3/4"OD X 1/16"THK, AS-568-029	2



ZONE	REV.	DESCRIPTION	DATE	APPROVED
REVISIONS				

1261 LOGAN AVENUE
 COSTA MESA, CALIFORNIA 92626
 PHONE: 714.361.4800
 FAX: 714.617.3120

PHYLIRICH[®]
 Defining Luxury Since 1959

PROPRIETARY AND CONFIDENTIAL
 THE INFORMATION CONTAINED IN THIS DRAWING IS THE SOLE PROPERTY OF PHYLIRICH. ANY REPRODUCTION IN PART OR AS A WHOLE WITHOUT THE WRITTEN PERMISSION OF PHYLIRICH IS PROHIBITED.
DO NOT SCALE DRAWING

WALL TUB SET, 12" SPOUT, LEVER HANDLES, TRANSITION

SIZE A	ASM/PRT NO. 120-57-12/00	REV -
SCALE: 1:3	WEIGHT: lbs.	SHEET 1 OF 2