

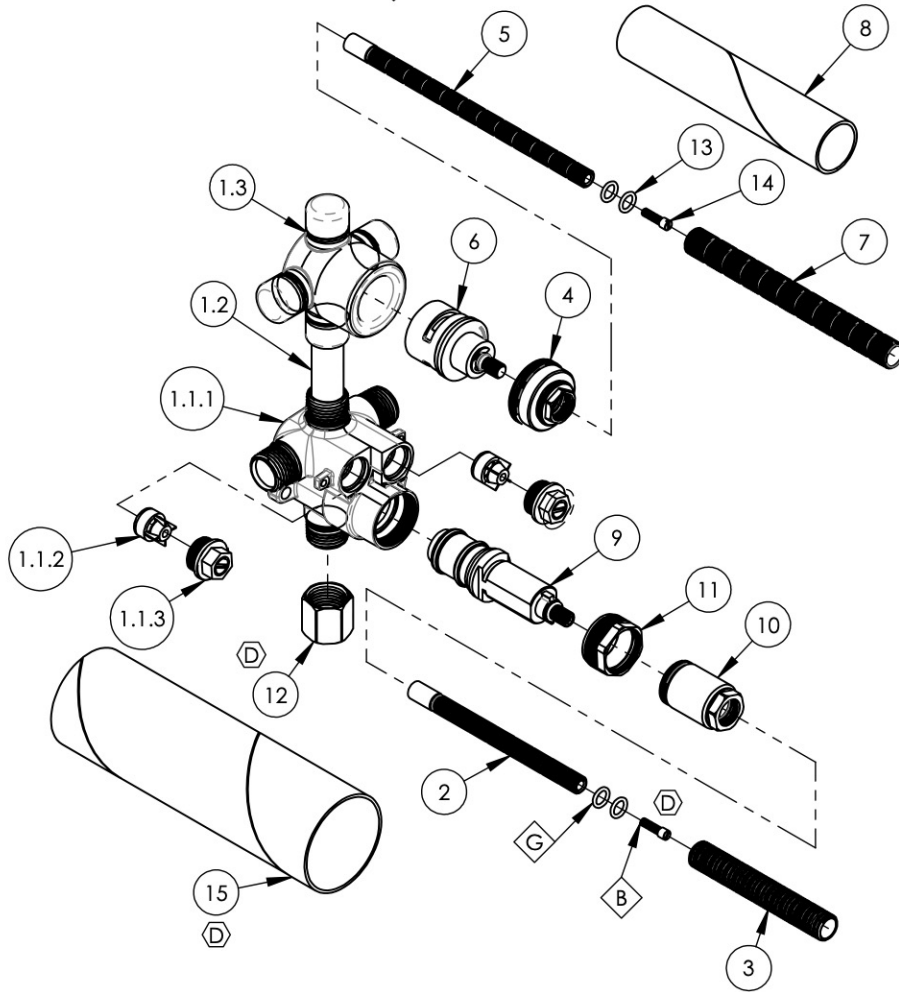
NOTE(S):  
 1. PART NUMBER, "/00" DENOTES PART SHALL HAVE FINISH.

2. APPLY NSF COMPLIANT GREASE TO ANY O-RING, SEALING JOINTS, AND/OR PIVOTAL POINTS.

3. APPLY NSF COMPLIANT LOCTITE TO THREADED AREA.

4. APPLY NSF COMPLIANT REMOVABLE (BLUE) LOCTITE TO THREADED AREA.

5. SILVER SOLDER JOINTS SHALL BE FULLY WETTED VIA CAPILLARY ACTION AND COMPLETELY NON-POROUS.



ITEM NO.	PART NUMBER	DESCRIPTION	QTY.
1	2-242	SUB-ASSY, BRAZED MINI-THERM W/ DIV. 5" C-C	1
1.1	1-113	MINI THERMOSTATIC BODY W/SHUTOFFS	1
1.1.1	10624	BODY, MINI THERMOSTATIC	1
1.1.2	11197	CHECK VALVE INSERT, SPRING LOADED, NV15-15MM OD	2
1.1.3	2-130	SHUTOFF NUT, MINI THERMO	2
1.2	11538	COPPER TUBE, FOR 5" CENTER-CENTER, 2-3/8"L	1
1.3	10348	VALVE BODY, DIVERTER THREE WAY 4PORT, FROM FORGED	1
2	10054	STEM EXTENSION, 6" LONG 20PT INT. TO 16PT LONG EXT. BROACH	1
3	10209	SHANK, NIPPLE THREAD ALL 9/16"-20UN WITH .433"ID	1
4	10349	NUT CAP FOR 3WAY DIVERTER	1
5	11416	STEM EXTENSION, 20PT TO 16PT, XXL	1
6	11417	CARTRIDGE, DIVERTER, 3WAY, SHARED W/ OFF	1
7	11498	ALL THREAD, EXTENSION, 9/16"-20, 5-9/16"L, XXL	1
8	11648	MUD GUARD, CARDBOARD, LONG	1
9	11973	CARTRIDGE MINI-THERM. VALVE, INTEGRATED LIMIT STOP, THERMOSTAR S18 TYP 2	1
10	12073	COVER SLEEVE ADAPTOR, MINI THERM, FOR INTEGRATED LIMIT STOP	1
11	12076	RETAINER NUT, NEW CRTRIDGE W/ INTEGRATED STOP	1
12	30238	HEX CAP, 1/2" NPT	1
13	90011	O-RING, 5/16"ID X 1/16"THK, AS-568-011	4
14	92157	SCREW, SMALL HD M4X0.7 - 1/2"L	2
15	12272	MUD GUARD, CARDBOARD, MINI THERM, 2-1/8" OD X 7" LENGTH	1

ZONE	REV.	DESCRIPTION	DATE	APPROVED
C5, B4	D	REPLACED MUD GUARD	1/23/2023	LFV
REVISIONS				

**PROPRIETARY AND CONFIDENTIAL**  
 THE INFORMATION CONTAINED IN THIS DRAWING IS THE SOLE PROPERTY OF PHYLRICH. ANY REPRODUCTION IN PART OR AS A WHOLE WITHOUT THE WRITTEN PERMISSION OF PHYLRICH IS PROHIBITED.  
**DO NOT SCALE DRAWING**

**PHYLRICH**  
 D. L. ...

1261 LOGAN AVENUE  
 COSTA MESA, CALIFORNIA 92626  
 PHONE: 714.361.4800  
 FAX: 714.617.3120

1/2" MINI-THERMOSTATIC W/ 3-WAY DIVERTER, SHARED

SIZE <b>A</b>	ASM/PRT NO. 1-133	REV D
SCALE: 1:3.75	WEIGHT: lbs.	SHEET 1 OF 2