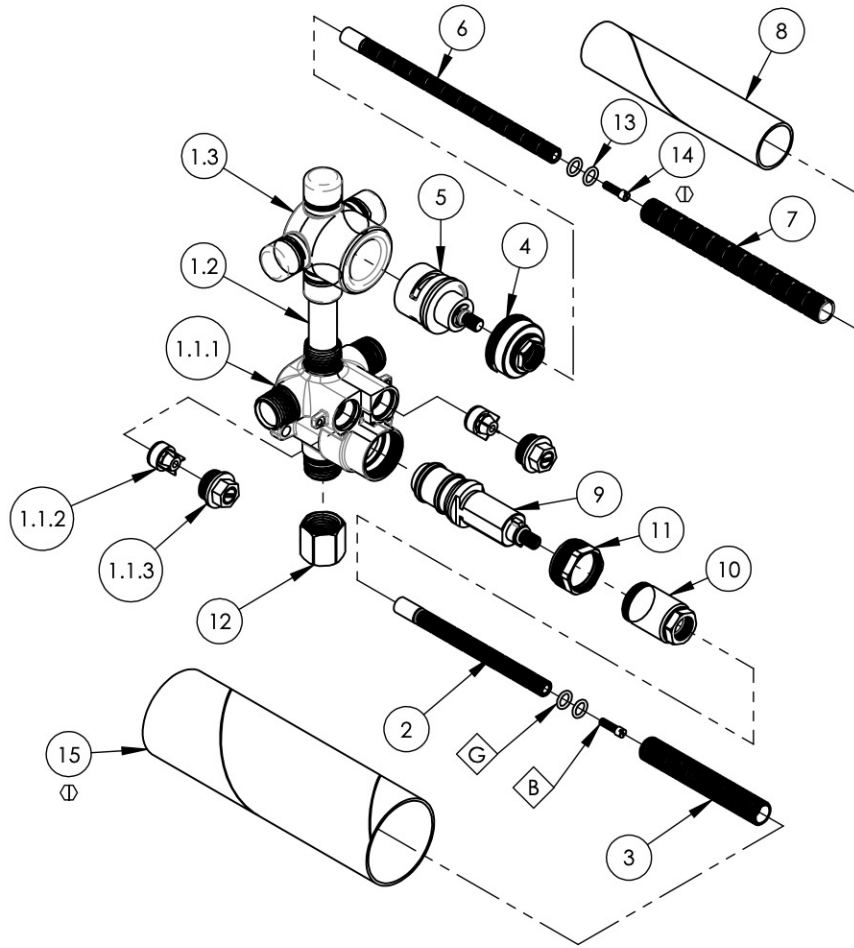


- NOTE(S):
- PART NUMBER, "/00" DENOTES PART SHALL HAVE FINISH.
 - APPLY NSF COMPLIANT GREASE TO ANY O-RING, SEALING JOINTS, AND/OR PIVOTAL POINTS.
 - APPLY NSF COMPLIANT LOCTITE TO THREADED AREA.
 - APPLY NSF COMPLIANT REMOVABLE (BLUE) LOCTITE TO THREADED AREA.
 - SILVER SOLDER JOINTS SHALL BE FULLY WETTED VIA CAPILLARY ACTION AND COMPLETELY NON-POROUS.



ITEM NO.	PART NUMBER	DESCRIPTION	QTY.
1	2-242	SUB-ASSY, BRAZED MINI-THERM W/ DIV. 5" C-C	1
1.1	1-113	MINI THERMOSTATIC BODY W/SHUTOFFS	1
1.1.1	10624	BODY, MINI THERMOSTATIC	1
1.1.2	11197	CHECK VALVE INSERT, SPRING LOADED, NV15-15MM OD	2
1.1.3	2-130	SHUTOFF NUT, MINI THERMO	2
1.2	11538	COPPER TUBE, FOR 5" CENTER-CENTER, 2-3/8"L	1
1.3	10348	VALVE BODY, DIVERTER THREE WAY 4PORT, FROM FORGED	1
2	10054	STEM EXTENSION, 6" LONG 20PT INT. TO 16PT LONG EXT. BROACH	1
3	10209	SHANK, NIPPLE THREAD ALL 9/16"-20UN WITH .433"ID	1
4	10349	NUT CAP FOR 3WAY DIVERTER	1
5	11297	CARTRIDGE, DIVERTER, 3WAY, NON-SHARE W/ OFF	1
6	11416	STEM EXTENSION, 20PT TO 16PT, XXL	1
7	11498	ALL THREAD, EXTENSION, 9/16"-20, 5-9/16"L, XXL	1
8	11648	MUD GUARD, CARDBOARD, LONG	1
9	11973	CARTRIDGE MINI-THERM. VALVE, INTEGRATED LIMIT STOP, THERMOSTAR S18 TYP 2	1
10	12073	COVER SLEEVE ADAPTOR, MINI THERM, FOR INTEGRATED LIMIT STOP	1
11	12076	RETAINER NUT, NEW CRTRIDGE W/ INTEGRATED STOP	1
12	30238	HEX CAP, 1/2" NPT	1
13	90011	O-RING, 5/16"ID X 1/16"THK, AS-568-011	4
14	92157	SCREW, SMALL HD M4X0.7 - 1/2"L	2
15	12272	MUD GUARD, CARDBOARD, MINI THERM, 2-1/8" OD X 7" LENGTH	1

ZONE	REV.	DESCRIPTION	DATE	APPROVED
B5, D3	I	REPLACED MUD GUARD & BROACH SCREW	1/19/2023	LFV
REVISIONS				

1261 LOGAN AVENUE
COSTA MESA, CALIFORNIA 92626
PHONE: 714.361.4800
FAX: 714.617.3120

PHYLIRICH
D.L. King, L.L. King, S. King

PROPRIETARY AND CONFIDENTIAL
THE INFORMATION CONTAINED IN THIS DRAWING IS THE SOLE PROPERTY OF PHYLIRICH. ANY REPRODUCTION IN PART OR AS A WHOLE WITHOUT THE WRITTEN PERMISSION OF PHYLIRICH IS PROHIBITED.
DO NOT SCALE DRAWING

1/2" MINI-THERMOSTATIC W/ 3-WAY DIVERTER, CAL-GREEN

SIZE A	ASM/PRT NO. 1-117	REV I
SCALE: 1:4.25	WEIGHT: lbs.	SHEET 1 OF 2