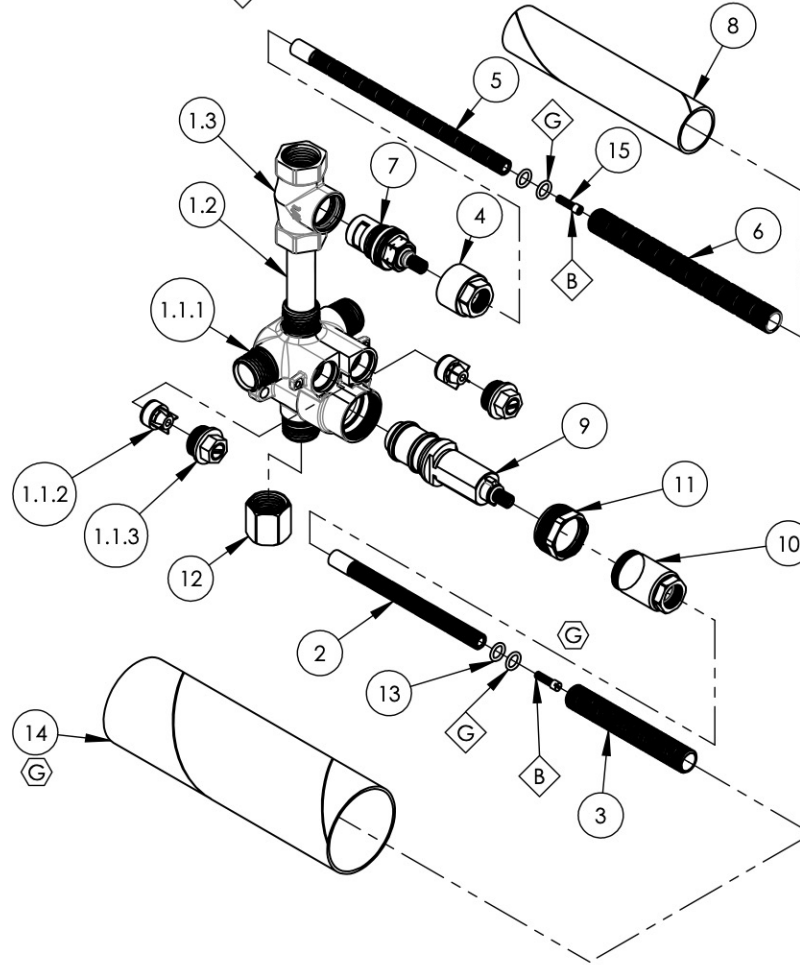


- NOTE(S):
- PART NUMBER, "/00" DENOTES PART SHALL HAVE FINISH.
  - APPLY NSF COMPLIANT GREASE TO ANY O-RING, SEALING JOINTS, AND/OR PIVOTAL POINTS.
  - APPLY NSF COMPLIANT LOCTITE TO THREADED AREA.
  - APPLY NSF COMPLIANT REMOVABLE (BLUE) LOCTITE TO THREADED AREA.
  - SILVER SOLDER JOINTS SHALL BE FULLY WETTED VIA CAPILLARY ACTION AND COMPLETELY NON-POROUS.



ITEM NO.	PART NUMBER	DESCRIPTION	QTY.
1	2-131	BRAZED MINI THERMO W/ 1/2" SHUTOFF BODY	1
1.1	1-113	MINI THERMOSTATIC BODY W/SHUTOFFS	1
1.1.1	10624	BODY, MINI THERMOSTATIC	1
1.1.2	11197	CHECK VALVE INSERT, SPRING LOADED, NV15-15MM OD	2
1.1.3	2-130	SHUTOFF NUT, MINI THERMO	2
1.2	11667	1/2" COPPER TUBE, 2.739" L, SWEAT FIT	1
1.3	11665	BODY FORGED, SHUTOFF SLIP-FIT TO 1/2" NPT	1
2	10054	STEM EXTENSION, 6" LONG 20PT INT. TO 16PT LONG EXT. BROACH	1
3	10209	SHANK, NIPPLE THREAD ALL 9/16"-20UN WITH .433"ID	1
4	11321	CARTRIDGE RETAINER NUT	1
5	11416	STEM EXTENSION, 20PT TO 16PT, XXL	1
6	11498	ALL THREAD, EXTENSION, 9/16"-20, 5-9/16"L, XXL	1
7	11540	CARTRIDGE, 1/2"G 20PT HOT, HI-TRQ LLL, EXACTO	1
8	11648	MUD GUARD, CARDBOARD, LONG	1
9	11973	CARTRIDGE MINI-THERM. VALVE, INTEGRATED LIMIT STOP, THERMOSTAR S18 TYP 2	1
10	12073	COVER SLEEVE ADAPTOR, MINI THERM, FOR INTEGRATED LIMIT STOP	1
11	12076	RETAINER NUT, NEW CRTRIDGE W/ INTEGRATED STOP	1
12	30238	HEX CAP, 1/2" NPT	1
13	90011	O-RING, 5/16"ID X 1/16"THK, AS-568-011	4
14	12272	MUD GUARD, CARDBOARD, MINI THERM, 2-1/8" OD X 7" LENGTH	1
15	92157	SCREW, SMALL HD M4X0.7 - 1/2"L	2

B5	G	UPDATED MUD GUARD & BROACH SCREW	1/19/2023	LFV
ZONE	REV.	DESCRIPTION	DATE	APPROVED
REVISIONS				

**PROPRIETARY AND CONFIDENTIAL**  
 THE INFORMATION CONTAINED IN THIS DRAWING IS THE SOLE PROPERTY OF PHYLRICH. ANY REPRODUCTION IN PART OR AS A WHOLE WITHOUT THE WRITTEN PERMISSION OF PHYLRICH IS PROHIBITED.  
**DO NOT SCALE DRAWING**

1261 LOGAN AVENUE  
 COSTA MESA, CALIFORNIA 92626  
 PHONE: 714.361.4800  
 FAX: 714.617.3120

**PHYLRICH**  
 D.I. L... ..

1/2" MINI-THERMOSTATIC VALVE W/  
 VOLUME CONTROL

SIZE <b>A</b>	ASM/PRT NO. 1-116	REV G
SCALE: 1:4.25	WEIGHT: lbs.	SHEET 1 OF 2